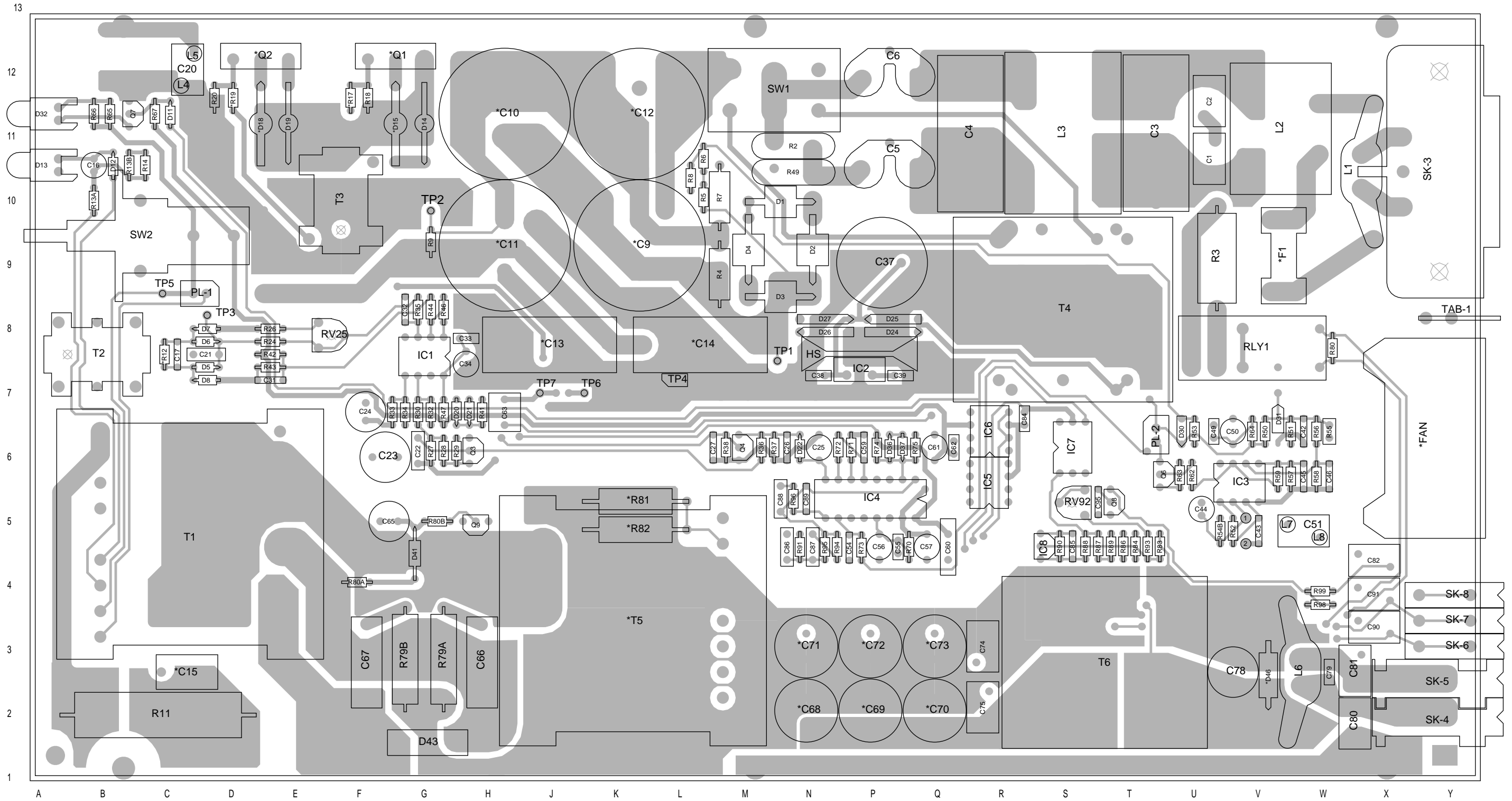
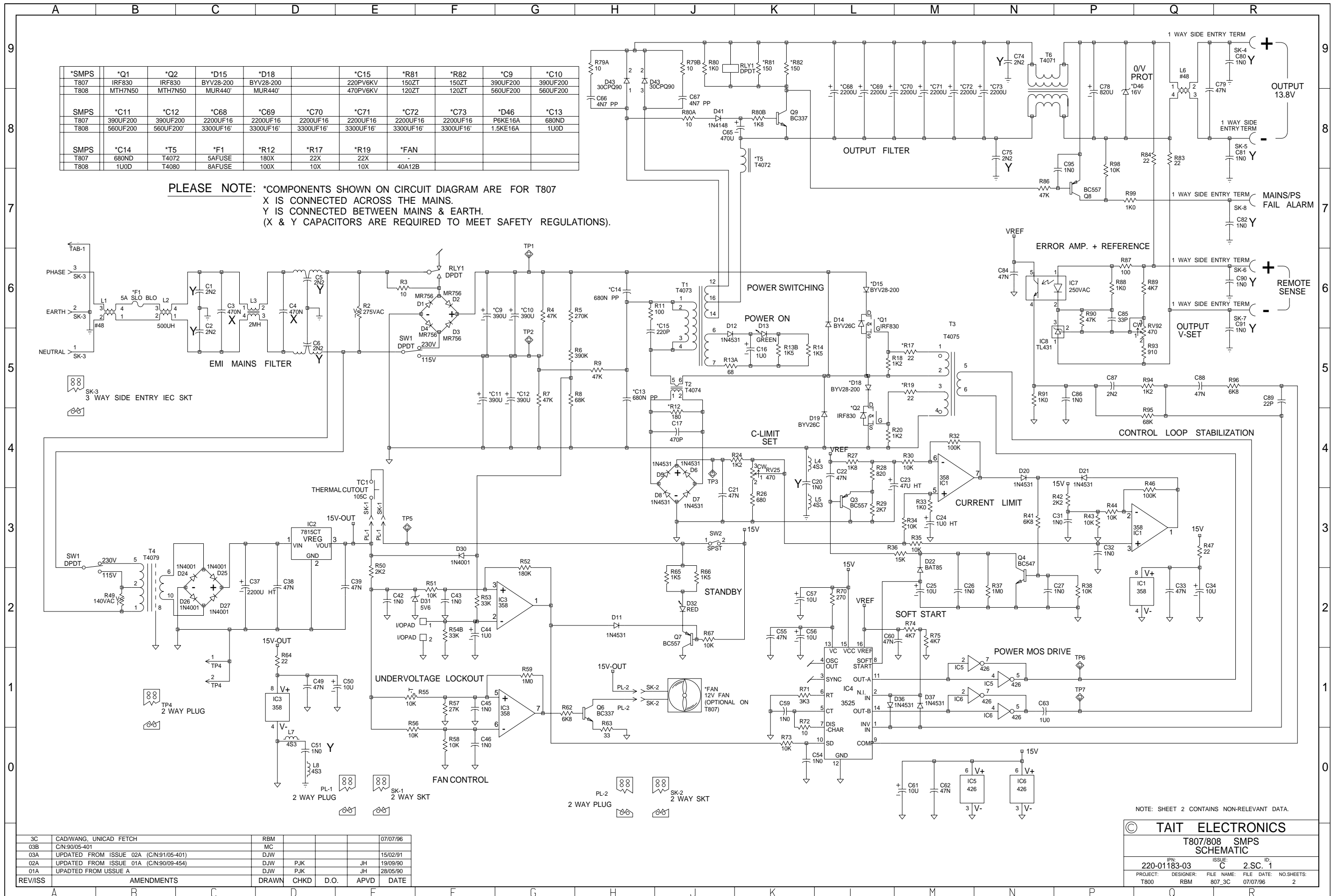


T807/808 PCB Layout
Bottom Side
220-01183-03



T807/808 PCB Layout
Top Side
220-01183-03



NOTE: SHEET 2 CONTAINS NON-RELEVANT DATA.

© TAIT ELECTRONICS			
T807/808 SMPS SCHEMATIC			
REV: 01A	DESIGNER: RBM	FILE NAME: 807_3C	DATE: 07/07/96
PROJECT: T800	ISSUE: C	FILE DATE: 07/07/96	NO. SHEETS: 2

3C	CAD/WANG, UNICAD FETCH	RBM			07/07/96
03B	C/N-90/05-401	MC			
03A	UPDATED FROM ISSUE 02A (C/N/91/05-401)	DJW			15/02/91
02A	UPDATED FROM ISSUE 01A (C/N/90/09-454)	DJW	PJK	JH	19/09/90
01A	UPADTED FROM USSUE A	DJW	PJK	JH	28/05/90
REV/ISS	AMENDMENTS	DRAWN	CHKD	D.O.	APVD DATE